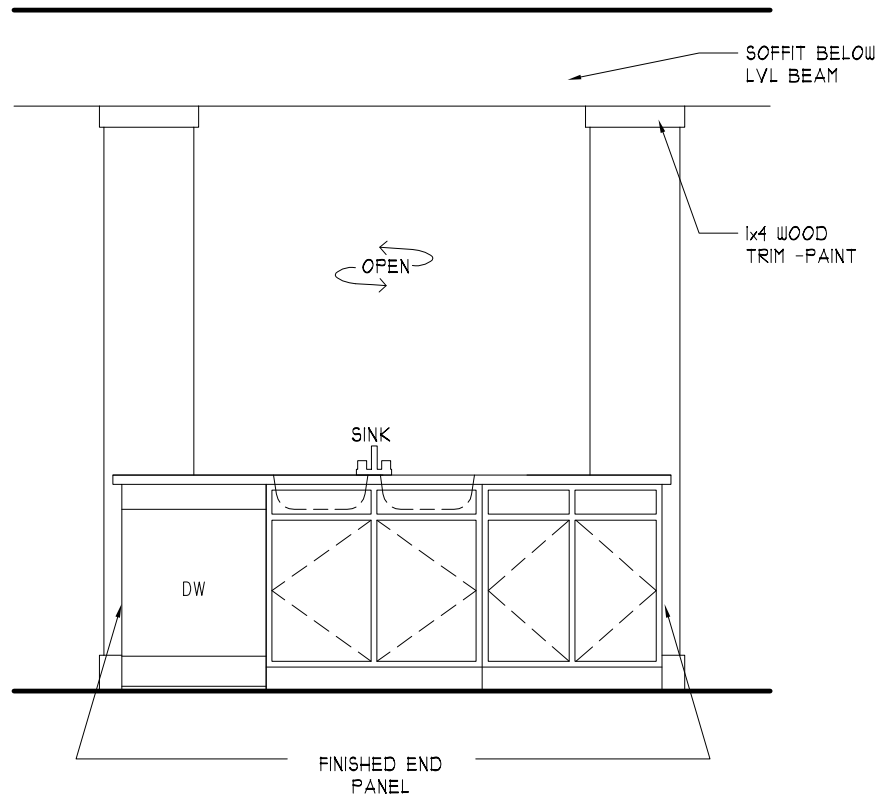


# renovateSTL.com

## St. Louis Renovation Resources

THIS DETAIL DRAWING IS PROVIDED FOR INFORMATIONAL PURPOSES ONLY. NO SINGLE SOLUTION IS APPROPRIATE FOR EVERY PROJECT.



KITCHEN SIDE OF ISLAND (DETAIL 2 of 3)

## KITCHEN "ISLAND" WITH COLUMNS

THIS KITCHEN ISLAND WITH COLUMNS ON EITHER SIDE WOULD BE APPROPRIATE IN A SITUATION WHERE A WALL IS BEING TAKEN OUT (OPENING THE KITCHEN TO AN ADJACENT ROOM). THE COLUMNS HELP SUPPORT A BEAM ABOVE. THE TWO-LEVEL COUNTER/BREAKFAST BAR ALLOWS FOR SEATING AT THE ISLAND.