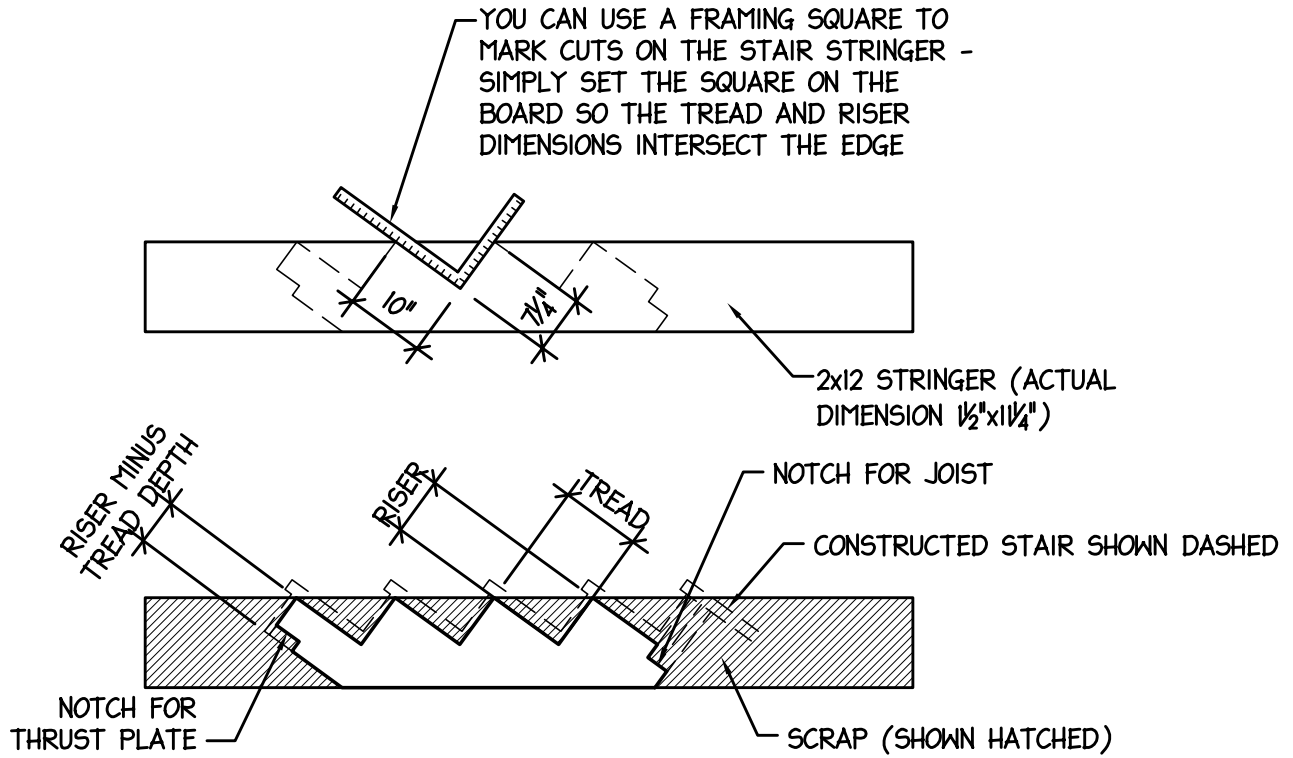


renovateSTL.com

st. louis renovation resources

THIS DETAIL DRAWING IS PROVIDED FOR INFORMATIONAL PURPOSES ONLY. NO SINGLE SOLUTION IS APPROPRIATE FOR EVERY PROJECT - CONSULT A BUILDING PROFESSIONAL TO DETERMINE THE BEST DESIGN DETAIL FOR YOUR SITUATION.

STRINGER LAYOUT



ANATOMY OF A STAIR

